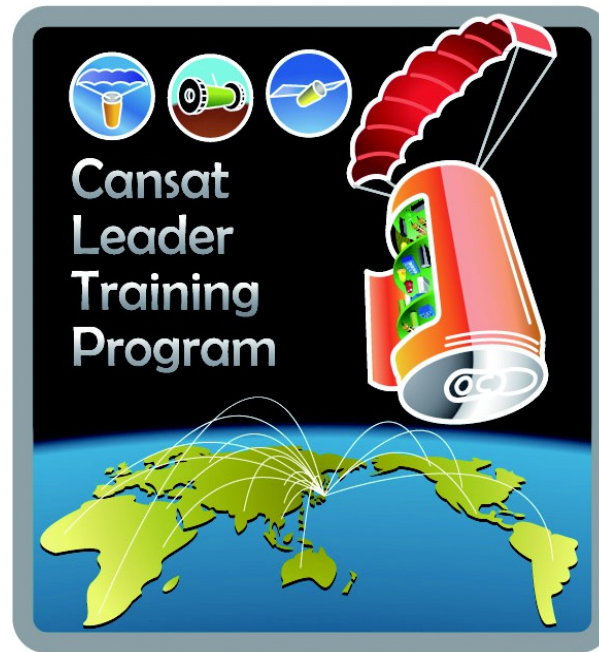


CLTP5

CanSat Leader Training Program 5



HOKKAIDO
UNIVERSITY



UNISEC
University Space Engineering Consortium

Hokkaido University TAs



M2
Tomohiro
TAKANASHI

Topics of research
「Liquid droplet radiator」



M2
Tilok Kumar
Das

Topics of research
「Thermal control of
micro&nano satellite」



M1
Akihito
OGATA

Topics of research
「Thermal control of
micro&nano satellite」



M1
Masahiro
MOURI

Topics of research
「Thermal control of
micro&nano satellite」



Topics of research

— Thermal control of micro&nano satellite —

Hokkaido university Space System

M2 Tomohiro TAKANASHI

M1 Akihito OGATA

M1 Masahiro MOURI

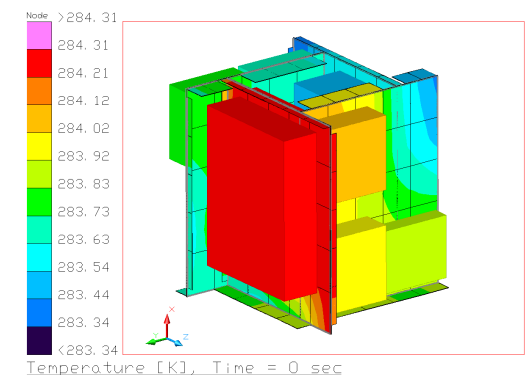
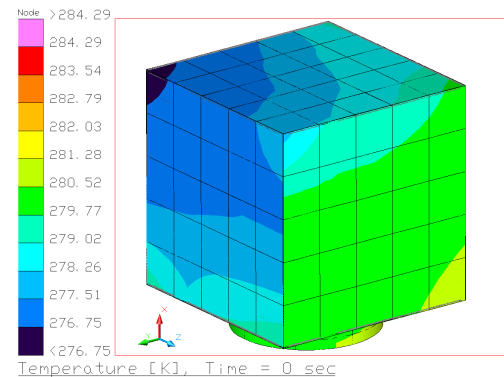
What is Thermal control of micro&nano satellite?

It is a technique of keeping components temperature in the allowable range.

How to do?

Using ...

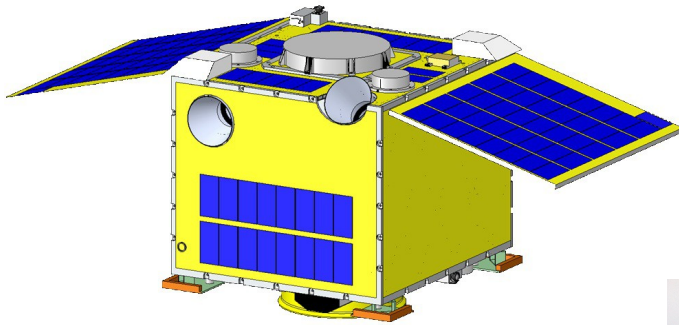
- Fortran program
- Thermal analysis software
「Thermal Desktop」



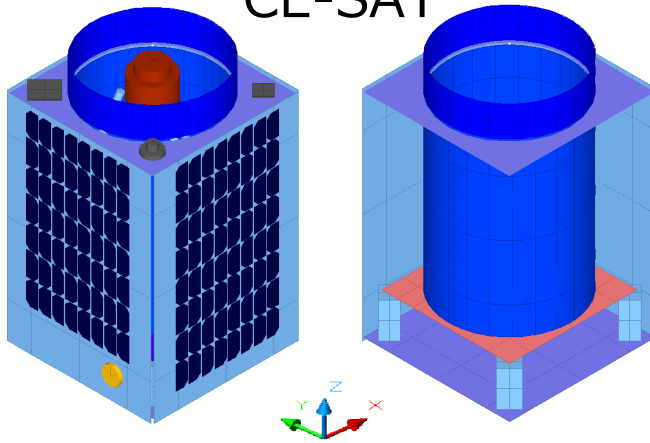
Previous study

In past times,
We analyzed following
micro&nano satellite !

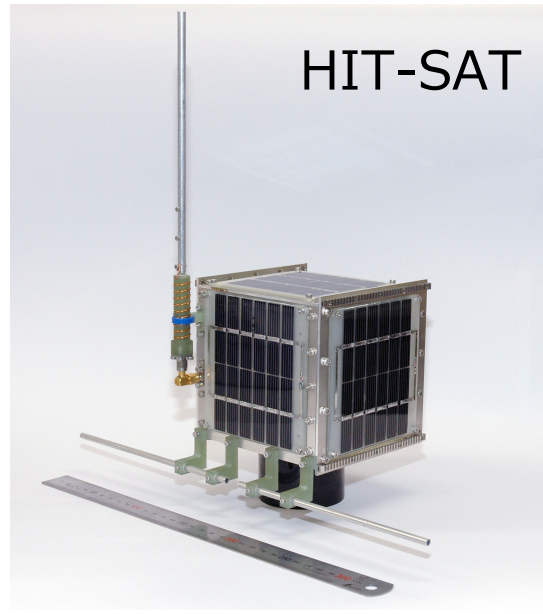
RISESAT



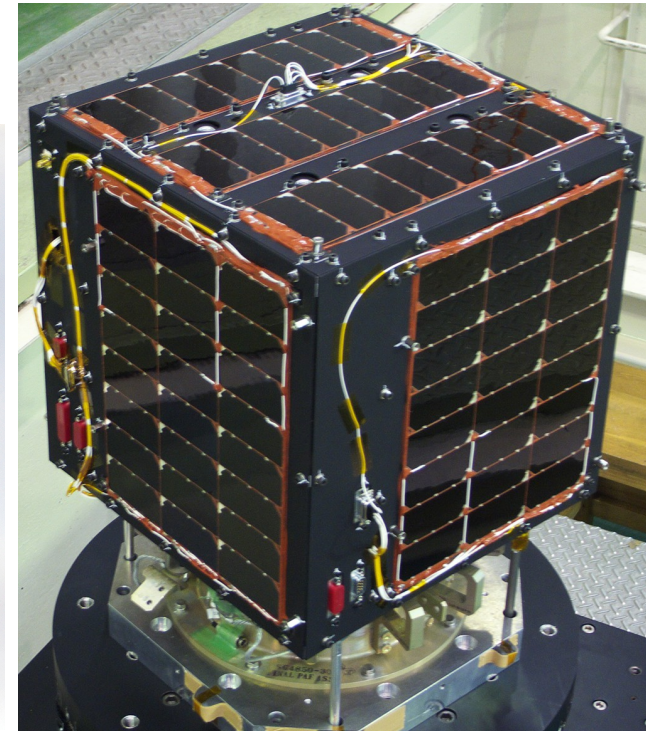
CE-SAT



HIT-SAT



UNITEC-1



miniCAMUI Project

— Hokkaido University TAs —

Hokkaido university Space System

M2 Tomohiro TAKANASHI

M1 Akihito OGATA

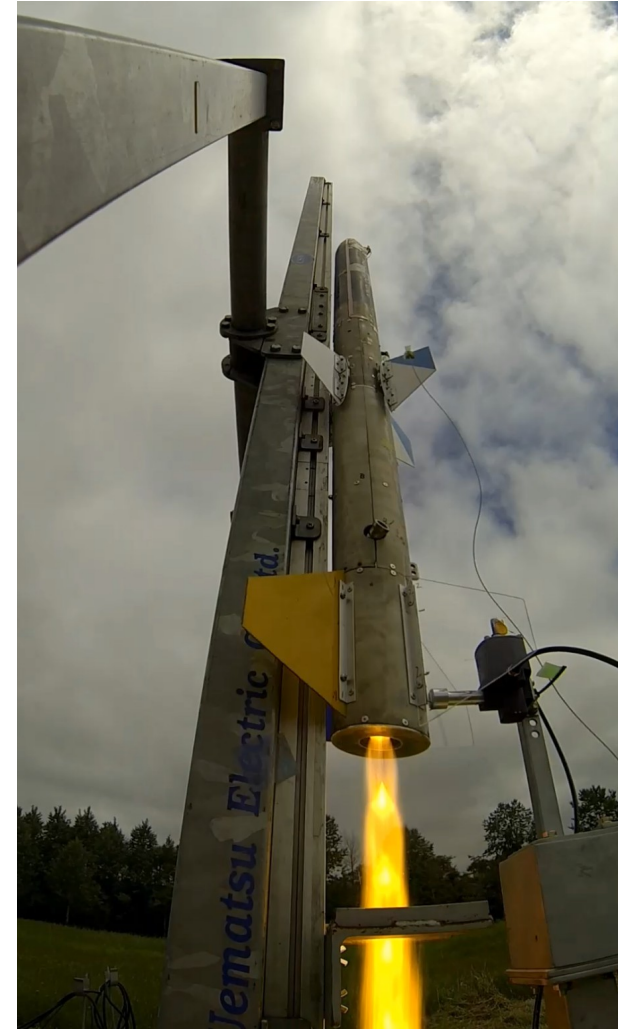
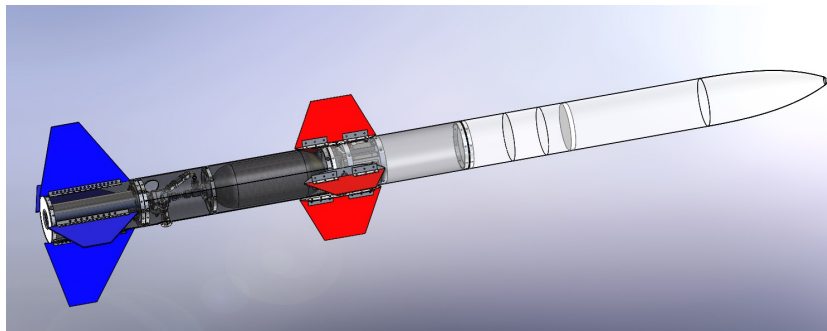
M1 Masahiro MOURI

2014/09/08

What is a miniCAMUI project ?

*It is a rocket development
of the students,
by the students,
for the student...*

That's **miniCAMUI**.



History of miniCAMUI project

- 2009 : Initial launch
 - Development of separation mechanism
- 2010 : Successful of communication
 - by Bluetooth
- 2011 : Development of micromini motor
- 2012 : Established launch technique
- 2013 : Roll control by rotating blades
- 2014 : Gliding control by rotating blades



2013 : Roll control of rotating blades

Please see a launch video...
video No.1



Finally ...

Thank you for your attention !

Finally, please see a promotional film of
MiniCAMUI 2014 ...
video No.2

